

91 ARCH

NEWHUABAO (Hardware) Industrial Co., Ltd.

E-PAI Metal products Co.Ltd.

EPAINOX Technology (GD) Manufactures Co., Ltd.

Factory Add: Workshop in Building 6A, Yuehai Intelligent Manufacturing Industrial Park, West Industrial Avenue, Songxia Industrial Zone, Nanhai District, Foshan City, Guangdong , China

- 🔗 E-PAI Stainless Steel Pipe
- 🔗 E-PAI Bathroom Hardware
- 🔗 E-PAI Architectural Hardware
- 🔗 E-PAI Safely Grab Bar
- 🔗 E-PAI Door Pull Handle
- 🔗 E-PAI Glass Fitting Hardware
- 🔗 E-PAI Locking Ladder Pulls
- 🔗 E-PAI Fence Spgot
- 🔗 E-PAI Door Handle
- 🔗 E-PAI Handrail
- 🔗 E-PAI INOX Hardware
- 🔗 E-PAI Stair Railing
- 🔗 E-PAI Pipe Fitting Hardware

Tel: +86-757-85751892 85751893

Fax: +86-757-85751891

P.C: 528247

E-mail: manager@epai-hardware.com

Https: // www.epaicn.com

www.epai-hardware.com

Contact person: James Lam

phone: +86-132 2672 5491

GripPRO

Hardware.Project

www.epai-hardware.com



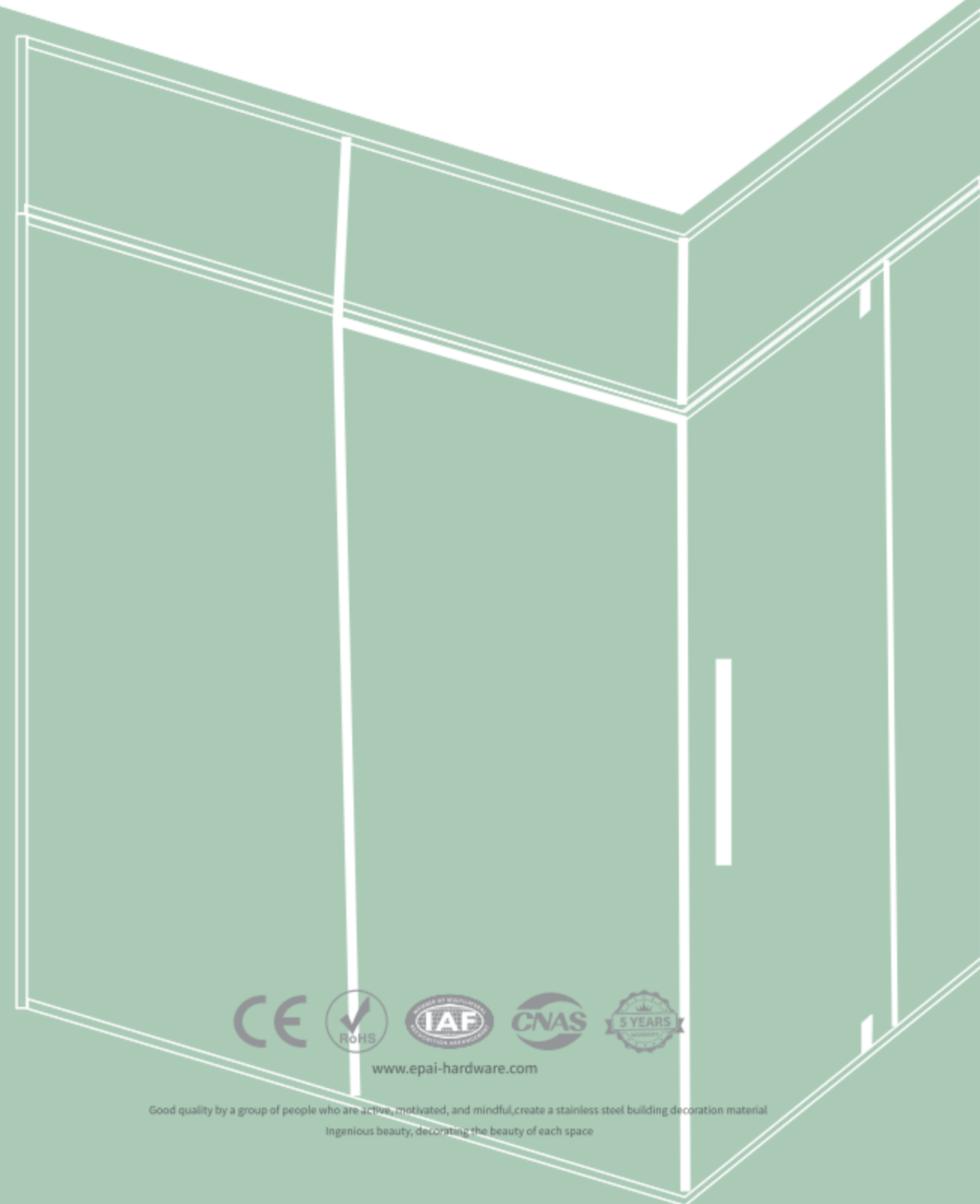
E-PAI keeps close paces with times regarding the development of new varieties. This manual cannot fully express all the details. The pictures and copyright of the catalogue are owned E-PAI. Without written permission, any re-photographing, plagiarizing, copy etc will be considered to be an infringement, and will be charged with law responsibility

91

ARCH Shower Room

GripPRO

GripPRO
SINCE-1997



www.epai-hardware.com

Good quality by a group of people who are active, motivated, and mindful, create a stainless steel building decoration material
Ingenious beauty, decorating the beauty of each space

PHILOSOPHY OF EPAI——

THE PURSUIT OF FRESH BEAUTY

INDUSTRY LEADER

AHEAD OF ARTWARE BUILDING A DREAM WITH JOINT EFFORTS

EPAI pursues excellence,

All the products are revealed by a group of people who are pursuing the ingenuity of stainless steel building materials, professionalism, concentration, and dedication to practice the Chinese dream of achieving the world's leading stainless steel architectural materials.



28⁺ Years

OF PRODUCTION EXPERIENCE



Contents

G87	003	Q261	061
G58	005	Y228	063
G88	013	U303	065
G83	019	GB056	067
G85	026	TM01A	069
G82	031	TK01A	071
GB53	035	LB	073
GB89	039	M2	077
T109	045	ED	083
T108	049	EB	087
Y225	051	Shower Hige	095
Y225A	055	Transluert Sealing Strips	099
TK802	059		



GB87 Series

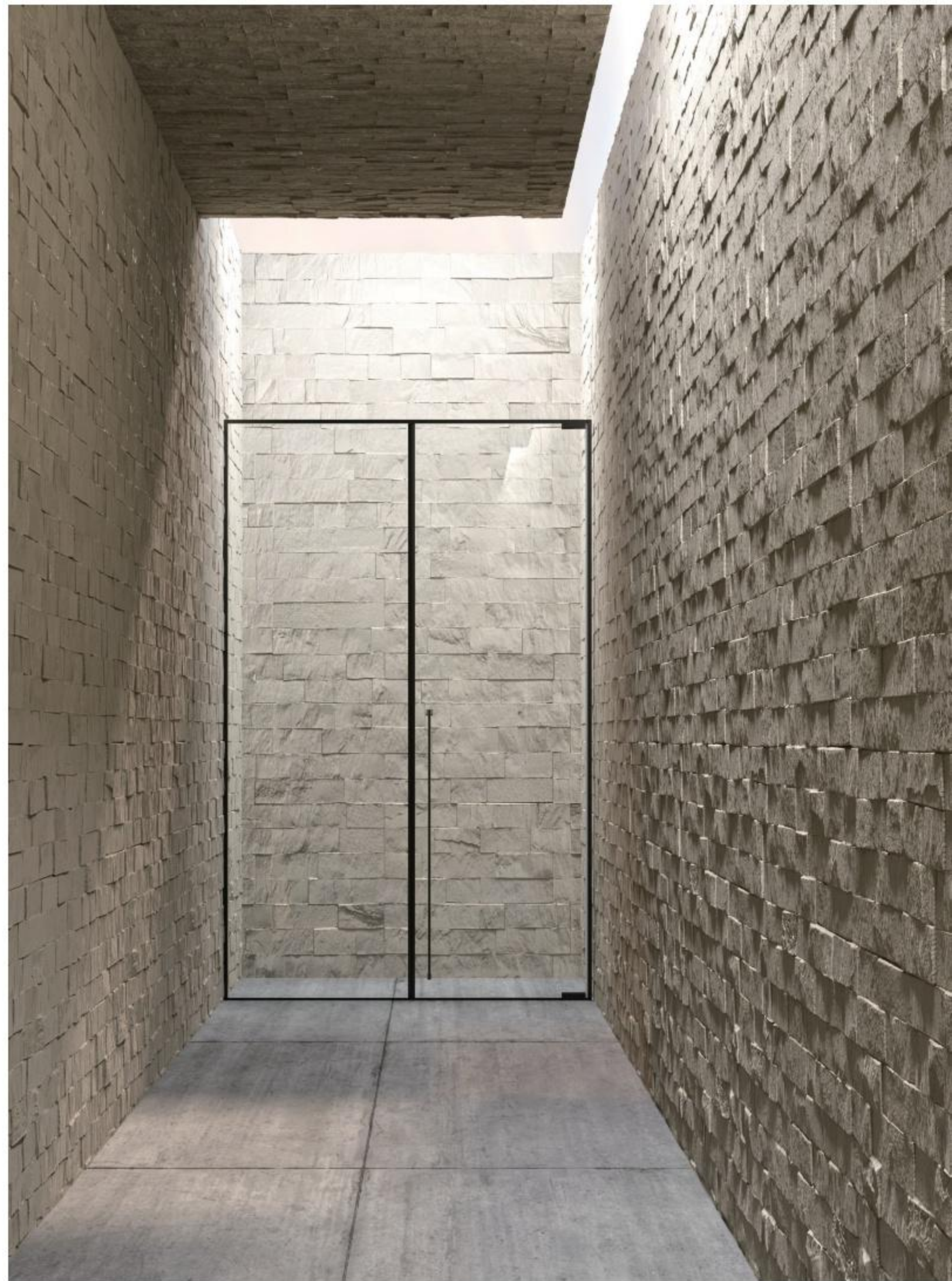


GB58 Series

GB58 Series







GB88 Series





Function and beauty, GripPRO goes hand in hand.



GB83 Series









GB85 Series



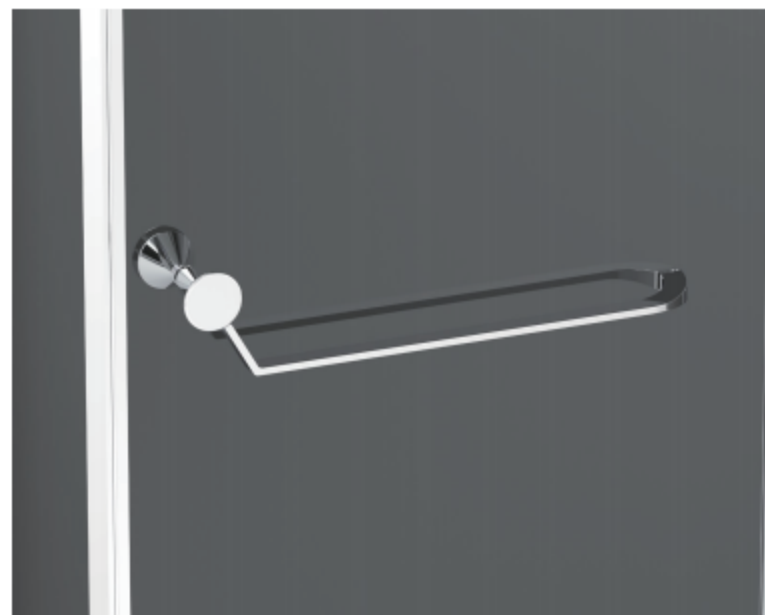


live a good life meet slowly.

Inspired by natural elements and colour trends, our shower room surfaces are finished with a unique polishing technique for excellent corrosion resistance and long-lasting shine. This treatment technology can meet a variety of innovative and personalized needs, so that each shower room presents a modern luxury design.



GB82 Series





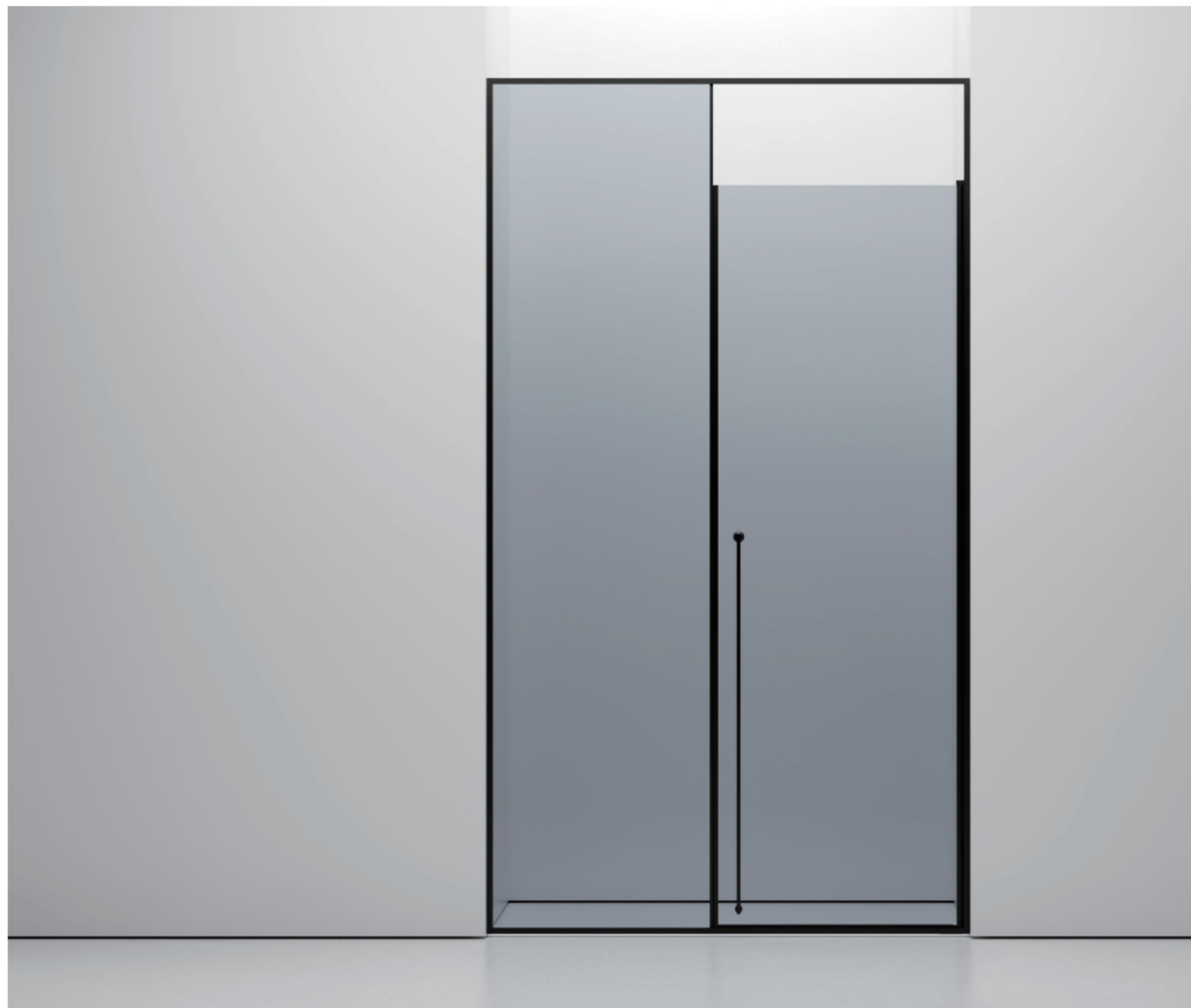
GB53 Series





GB89 Series







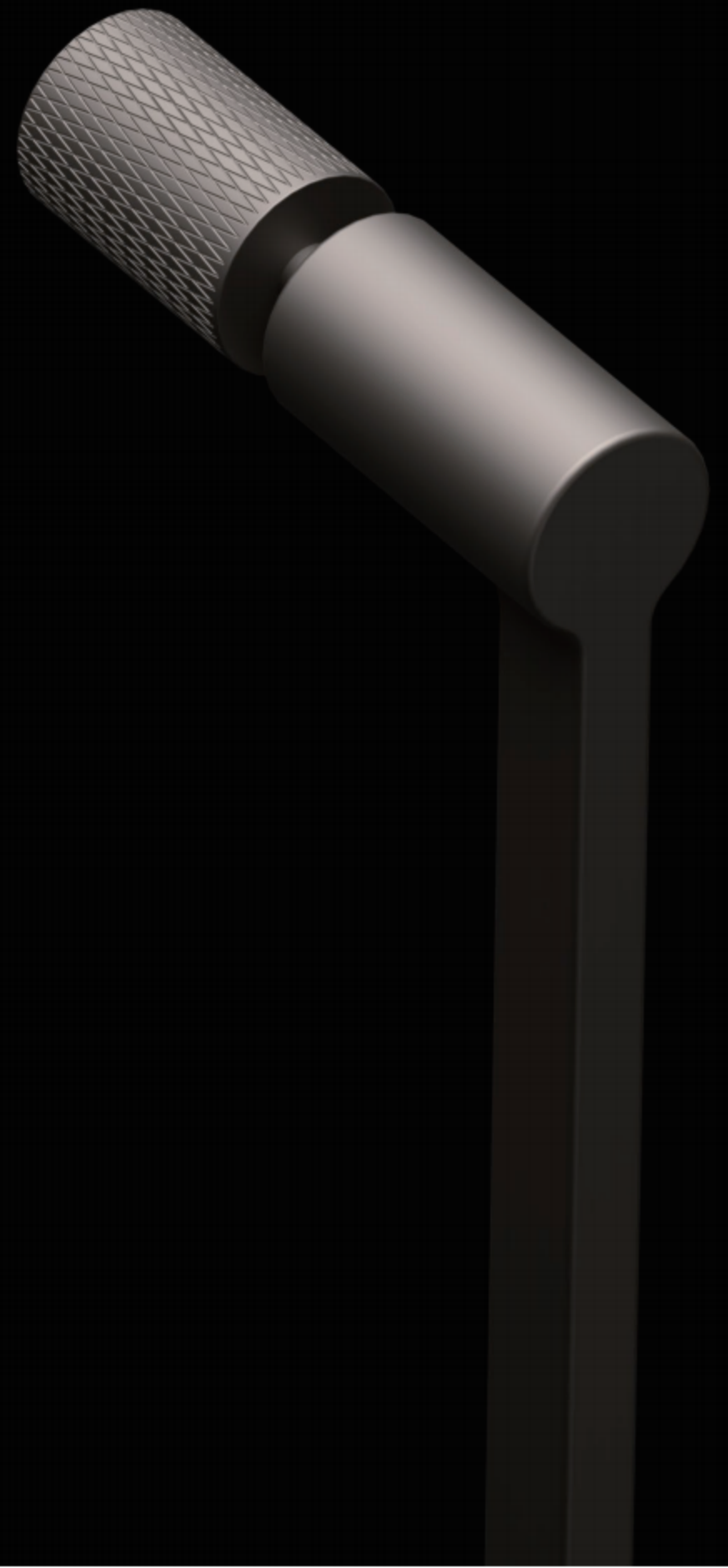




T108 Series



Y225 Series

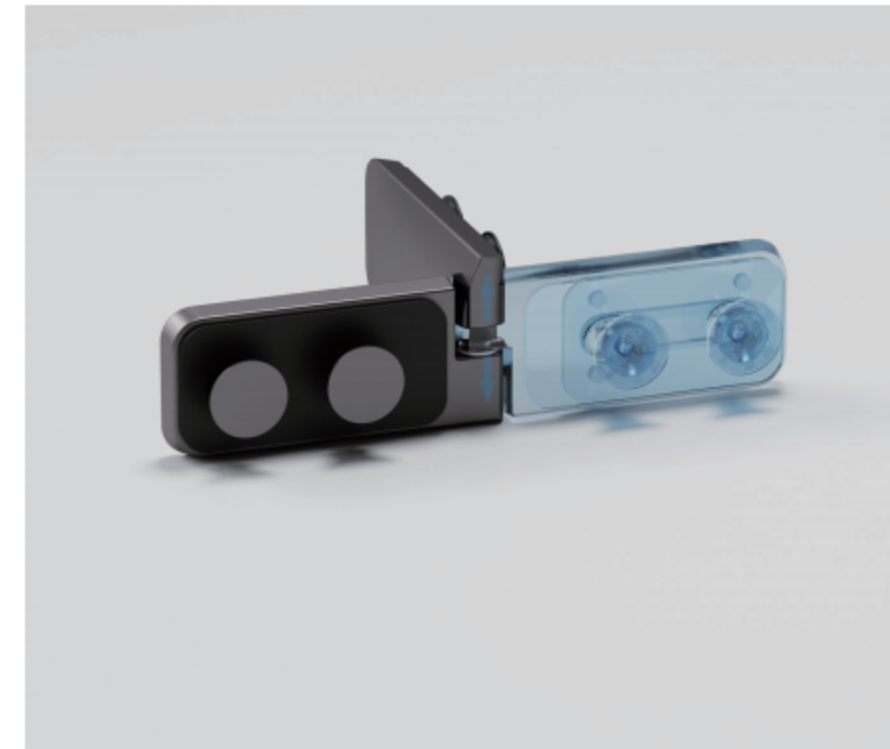




Y225A Series



The brand value of GripPRO Shower Room is to create a product line that perfectly blends aesthetics and personal needs. We have many years of industry experience, professional independent research and development and production capacity, always ensure the quality of products.





TK802 Series





Q261 Series



Y228 Series





U303 Series



GB56 Series



TM09 Series



TK01A Series





LB
Series
Sliding door

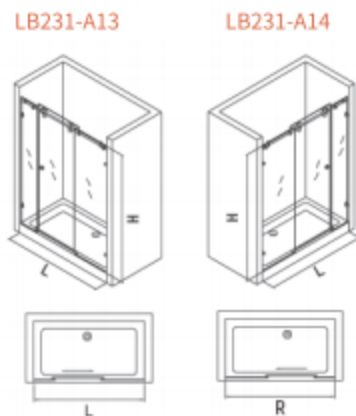
LB231-A13/14

Glass: 8/10mm Tempered glass
 Main Material : 304 Stainless steel, Forged Brass
 Accessories Finish : Polished Stainless steel(PSS) , Bright Chrome Plated (CP)

Note:
 1. Length and Width: Distance from the front edge of tray/basestone to wall;
 Height: Vertical distance from the tray/basestone to the top of glass.
 2. Show Max. & Min. size ;
 Allow Designed size, but size beyond Max. and Min. limit is not suggested.

Unit: mm

Height	Length	Width	Thickness	Door opening width
1900	1500	/	10	500
1900	1600	/	10	550
1900	1700	/	8	600



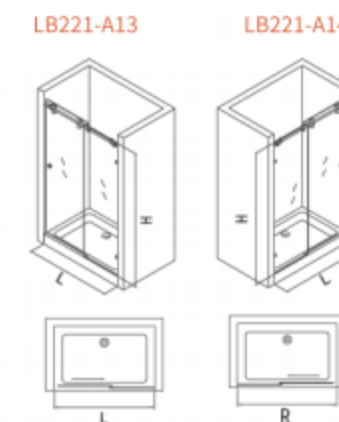
LB221-A13/14

Glass: 8/10mm Tempered glass
 Main Material : 304 Stainless steel, Forged Brass
 Accessories Finish : Polished Stainless steel(PSS) , Bright Chrome Plated (CP)

Note:
 1. Length and Width: Distance from the front edge of tray/basestone to wall;
 Height: Vertical distance from the tray/basestone to the top of glass.
 2. Show Max. & Min. size ;
 Allow Designed size, but size beyond Max. and Min. limit is not suggested.

Unit: mm

Height	Length	Width	Thickness	Door opening width
1900	1200	/	10	500
1900	1300	/	10	550
1900	1400	/	8	600





M2
Series
Sliding door

M2-131-A13/14

Glass: 8/10mm Tempered glass
 Main Material : 304 Stainless steel, Forged Brass,
 Accessories Finish : Polished Stainless steel(PSS) , Bright Chrome Plated (CP)

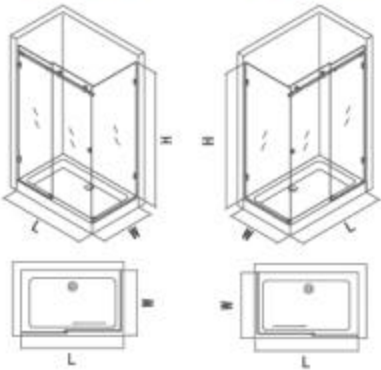
Note:
 1. Length and Width: Distance from the front edge of tray/basestone to wall;
 Height: Vertical distance from the tray/basestone to the top of glass.
 2. Show Max. & Min. size ;
 Allow Designed size, but size beyond Max. and Min. limit is not suggested.

Unit: mm

Height	Length	Width	Thickness	Door opening width
1900	1200	800	10	500
1900	1300	800	10	550
1900	1400	900	8	600
1900	1500	900	8	650

M2-131-A13

M2-131-A14

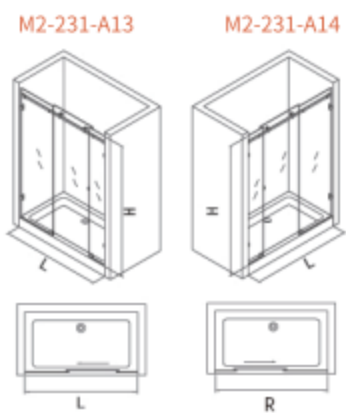


M2-231-A13/14

Glass: 8/10mm Tempered glass
 Main Material : 304 Stainless steel, Forged Brass
 Accessories Finish : Polished Stainless steel(PSS) , Bright Chrome Plated (CP).

Note:
 1. Length and Width: Distance from the front edge of tray/basestone to wall;
 Height: Vertical distance from the tray/basestone to the top of glass.
 2. Show Max. & Min. size ;
 Allow Designed size, but size beyond Max. and Min. limit is not suggested.

Unit: mm				
Height	Length	Width	Thickness	Door opening width
1900	1500	/	10	500
1900	1600	/	8	550
1900	1700	/	8	600

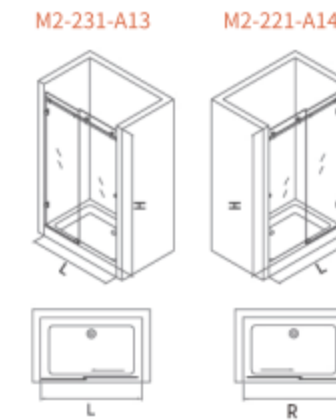


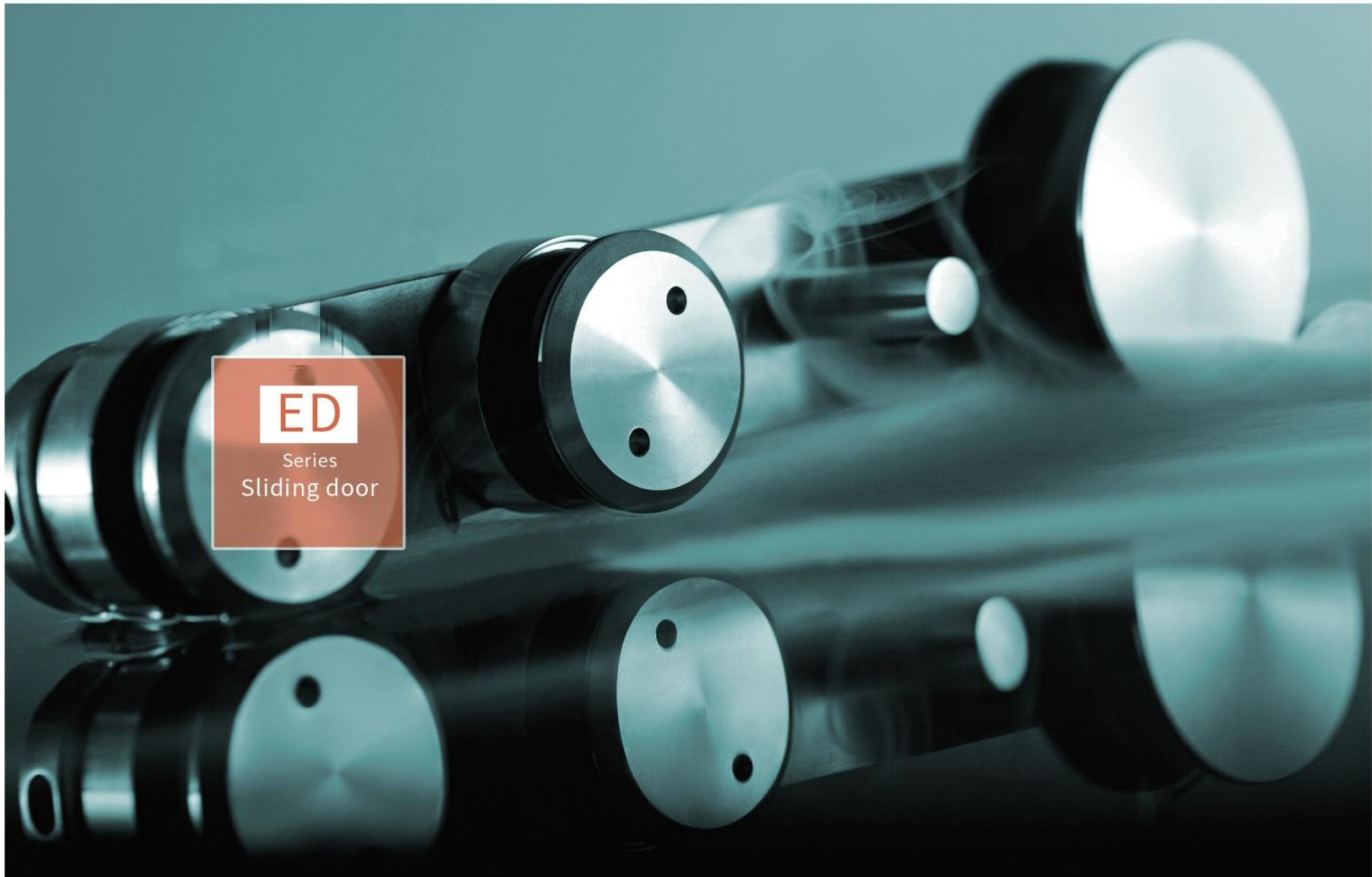
M2-221-A13/14

Glass: 8/10mm Tempered glass
 Main Material : 304 Stainless steel, Forged Brass
 Accessories Finish : Polished Stainless steel(PSS) , Bright Chrome Plated (CP).

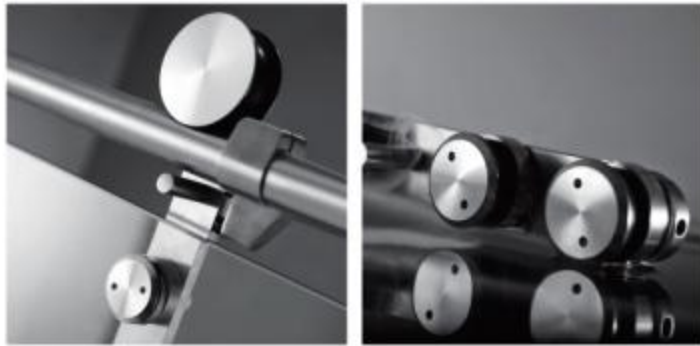
Note:
 1. Length and Width: Distance from the front edge of tray/basestone to wall;
 Height: Vertical distance from the tray/basestone to the top of glass.
 2. Show Max. & Min. size ;
 Allow Designed size, but size beyond Max. and Min. limit is not suggested.

Unit: mm				
Height	Length	Width	Thickness	Door opening width
1900	1200	/	10	500
1900	1300	/	10	550
1900	1400	/	8	600





ED
Series
Sliding door



ED-231-A13/14

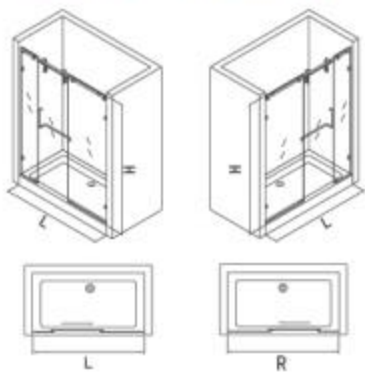
Glass: 8/10mm Tempered glass
 Main Material : 304 Stainless steel, Forged Brass
 Accessories Finish : Polished Stainless , Bright Chrome Plated (CP)

Note:
 1. Length and Width: Distance from the front edge of tray/basestone to wall;
 Height: Vertical distance from the tray/basestone to the top of glass.
 2. Show Max. & Min. size ;
 Allow Designed size, but size beyond Max. and Min. limit is not suggested.

Unit: mm

Height	Length	Width	Thickness	Door opening width
1900	1500	/	10	500
1900	1600	/	10	550
1900	1700	/	8	600

ED-231-A13 ED-221-A14





EB
Series
Swing door

EB-131-A11/12

Glass: 8/10mm Tempered glass
Main Material : 304 Stainless steel, Forged Brass, 6463 Aluminium alloy
Accessories Finish : Polished Stainless steel(PSS) , Bright Chrome Plated (CP)

Note:
1. Length and Width: Distance from the front edge of tray/basestone to wall;
Height: Vertical distance from the tray/basestone to the top of glass.
2. Show Max. & Min. size ;
Allow Designed size, but size beyond Max. and Min. limit is not suggested.

Unit: mm

Height	Length	Width	Thickness	Door opening width
1850	1200	800	8/10	500
1850	1200	800	8/10	550
1850	1300	900	8/10	600

A slightly new image will come to you with another choice of accessory, if you feel tired of the old one, but glass is still the same.

Choice A
LG131-A11/12

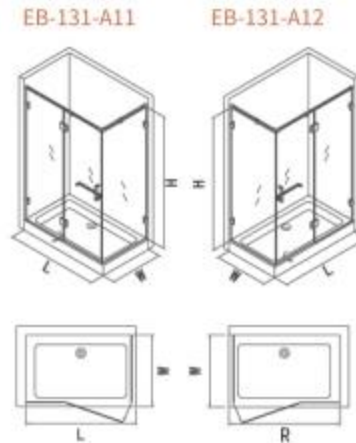
Choice B
EB131-B11/12

EPGH-3115

EPGH-2115

L-2642

L-2552

EB-131-A01/02

Glass: 8/10mm Tempered glass
Main Material : 304 Stainless steel, Forged Brass, 6463 Aluminium alloy
Accessories Finish : Polished Stainless steel(PSS) , Bright Chrome Plated (CP).

Note:
1. Length and Width: Distance from the front edge of tray/basestone to wall;
Height: Vertical distance from the tray/basestone to the top of glass.
2. Show Max. & Min. size ;
Allow Designed size, but size beyond Max. and Min. limit is not suggested.

Unit: mm

Height	Length	Width	Thickness	Door opening width
1850	1200	800	8/10	500
1850	1200	800	8/10	550
1850	1300	900	8/10	600

A slightly new image will come to you with another choice of accessory, if you feel tired of the old one, but glass is still the same.

Choice A
EB131-A01/02

Choice B
EB131-B01/02

EPGH-3111

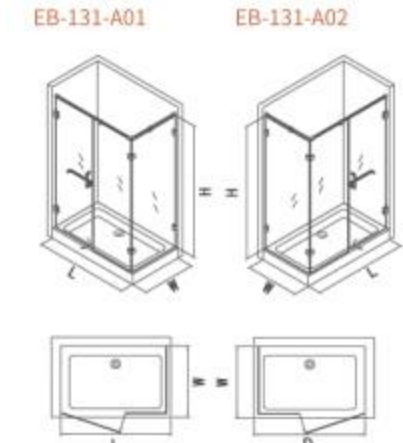
EPGH-2112

L-2642

L-2552

L-2645

L-2555

EB-231-A11/12

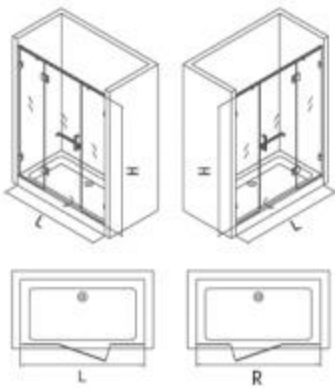
Glass: 8/10mm Tempered glass
 Main Material : 304 Stainless steel, Forged Brass, 6463 Aluminium alloy
 Accessories Finish : Polished Stainless steel(PSS) , Bright Chrome Plated (CP).

Note:
 1. Length and Width: Distance from the front edge of tray/basestone to wall;
 Height: Vertical distance from the tray/basestone to the top of glass.
 2. Show Max. & Min. size ;
 Allow Designed size, but size beyond Max. and Min. limit is not suggested.

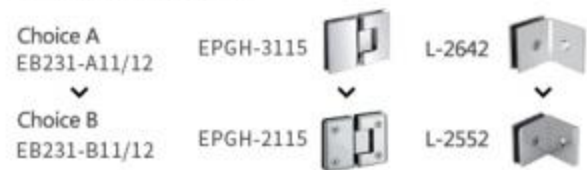
Unit: mm

Height	Length	Width	Thickness	Door opening width
1850	1200	/	8/10	500
1850	1200	/	8/10	550
1850	1300	/	8/10	600

EB-231-A11 EB-231-A12



A slightly new image will come to you with another choice of accessory, if you feel tired of the old one, but glass is still the same.



EB-221-A01/02

Glass: 8/10mm Tempered glass
 Main Material : 304 Stainless steel, Forged Brass, 6463 Aluminium alloy
 Accessories Finish : Polished Stainless steel(PSS) , Bright Chrome Plated (CP).

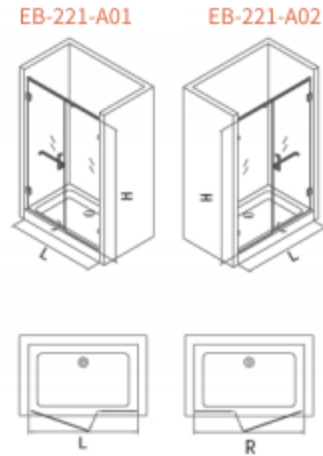
Note:
 1. Length and Width: Distance from the front edge of tray/basestone to wall;
 Height: Vertical distance from the tray/basestone to the top of glass.
 2. Show Max. & Min. size ;
 Allow Designed size, but size beyond Max. and Min. limit is not suggested.

Unit: mm

Height	Length	Width	Thickness	Door opening width
1850	1100	/	8/10	550
1850	1200	/	8/10	600
1850	1300	/	8/10	600

A slightly new image will come to you with another choice of accessory, if you feel tired of the old one, but glass is still the same.

Choice A EB221-A11/12	EPGH-3112		L-2642	
Choice B EB221-A01/02	EPGH-2112		L-2552	



EB-331-A11/12

Glass: 8/10mm Tempered glass
 Main Material : 304 Stainless steel, Forged Brass, 6463 Aluminium alloy
 Accessories Finish : Polished Stainless steel(PSS) , Bright Chrome Plated (CP).

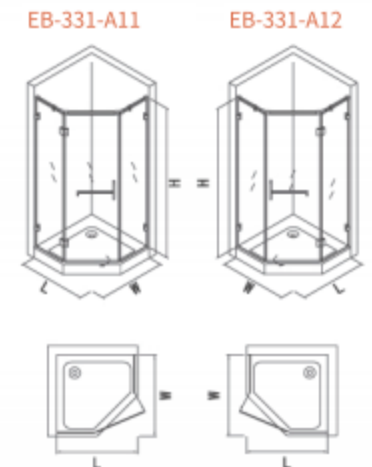
Note:
 1. Length and Width: Distance from the front edge of tray/basestone to wall;
 Height: Vertical distance from the tray/basestone to the top of glass.
 2. Show Max. & Min. size ;
 Allow Designed size, but size beyond Max. and Min. limit is not suggested.

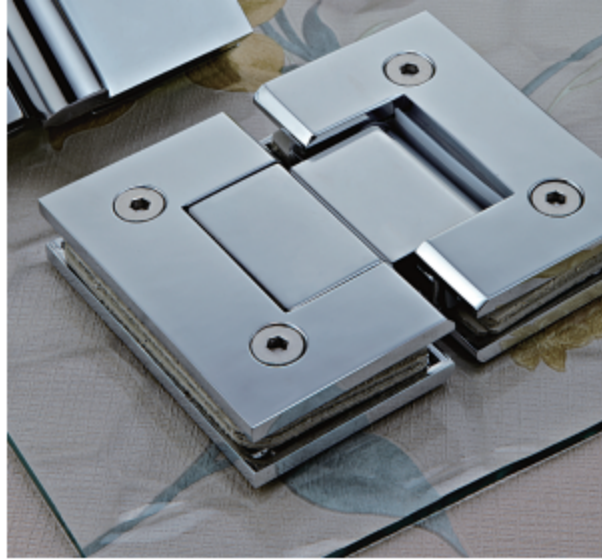
Unit: mm

Height	Length	Width	Thickness	Door opening width
1850	800	800	8/10	600
1850	900	900	8/10	600
1850	1000	1000	8/10	600

A slightly new image will come to you with another choice of accessory, if you feel tired of the old one, but glass is still the same.

Choice A EB331-A11/12	EPGH-3114		L-2642	
Choice B EB331-B11/12	EPGH-2114		L-2552	





EPGH-3111 Shower Hinge

Material

SUS 304 Stainless Steel

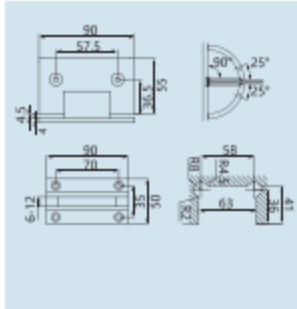
Thickness

8-12mm Tempered glass

Finishes available

Satin Stainless Steel-SSS
Polished Stainless Steel-PSS

304



EPGH-3114 Shower Hinge

Material

SUS 304 Stainless Steel

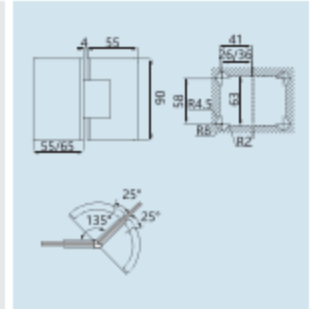
Thickness

8-12mm Tempered glass

Finishes available

Satin Stainless Steel-SSS
Polished Stainless Steel-PSS

304



EPGH-3112 Shower Hinge

Material

SUS 304 Stainless Steel

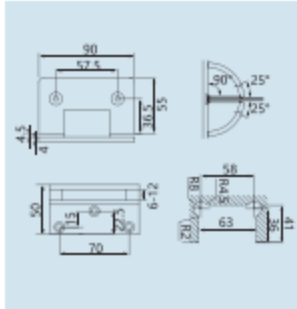
Thickness

8-12mm Tempered glass

Finishes available

Satin Stainless Steel-SSS
Polished Stainless Steel-PSS

304



EPGH-3115 Shower Hinge

Material

SUS 304 Stainless Steel

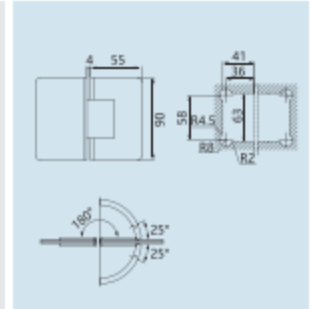
Thickness

8-12mm Tempered glass

Finishes available

Satin Stainless Steel-SSS
Polished Stainless Steel-PSS

304



EPGH-3113 Shower Hinge

Material

SUS 304 Stainless Steel

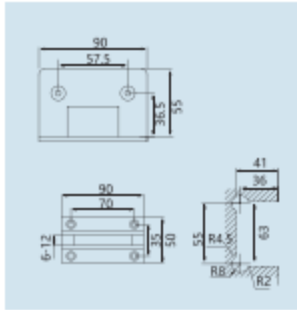
Thickness

8-12mm Tempered glass

Finishes available

Satin Stainless Steel-SSS
Polished Stainless Steel-PSS

304



EPGH-3119 Shower Hinge

Material

SUS 304 Stainless Steel

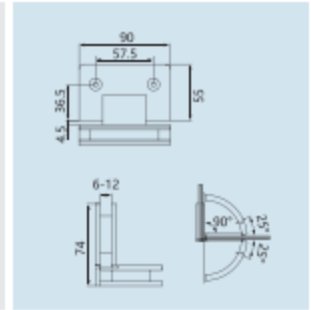
Thickness

8-12mm Tempered glass

Finishes available

Satin Stainless Steel-SSS
Polished Stainless Steel-PSS

304



Finish
饰面



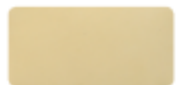
镜光



砂光



ORB



金色



US15



玫瑰金

Finish
饰面



镜光



砂光



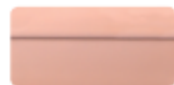
ORB



金色



US15

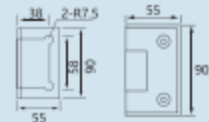


玫瑰金



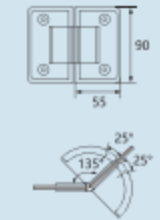
EPGH-2110 Shower Hinge

Material	SUS 304 Stainless Steel
Thickness	8-12mm Tempered glass
Finishes available	Satin Stainless Steel-SSS Polished Stainless Steel-PSS
304	



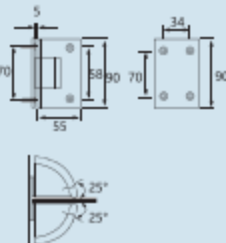
EPGH-2114 Shower Hinge

Material	SUS 304 Stainless Steel
Thickness	8-12mm Tempered glass
Finishes available	Satin Stainless Steel-SSS Polished Stainless Steel-PSS
304	



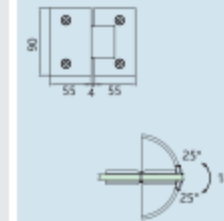
EPGH-2111 Shower Hinge

Material	SUS 304 Stainless Steel
Thickness	8-12mm Tempered glass
Finishes available	Satin Stainless Steel-SSS Polished Stainless Steel-PSS
304	



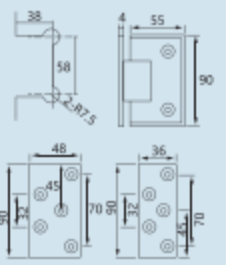
EPGH-2115 Shower Hinge

Material	SUS 304 Stainless Steel
Thickness	8-12mm Tempered glass
Finishes available	Satin Stainless Steel-SSS Polished Stainless Steel-PSS
304	



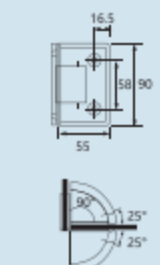
EPGH-2112 Shower Hinge

Material	SUS 304 Stainless Steel
Thickness	8-12mm Tempered glass
Finishes available	Satin Stainless Steel-SSS Polished Stainless Steel-PSS
304	



EPGH-2119 Shower Hinge

Material	SUS 304 Stainless Steel
Thickness	8-12mm Tempered glass
Finishes available	Satin Stainless Steel-SSS Polished Stainless Steel-PSS
304	



Finish
饰面



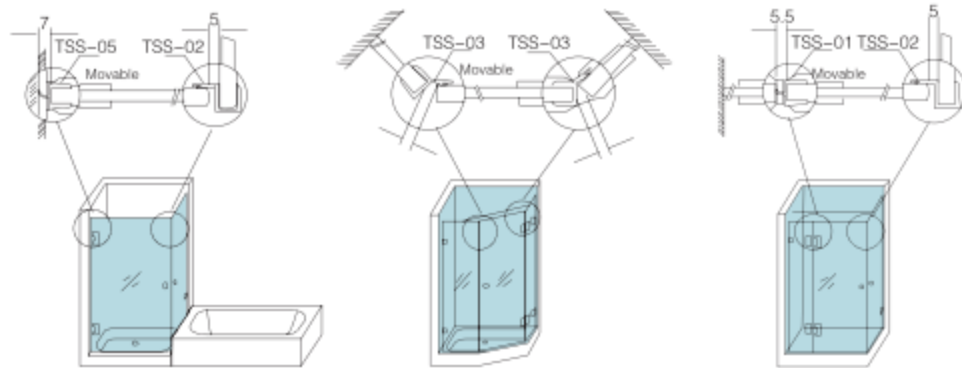
Finish
饰面



Translucent Sealing Strips

Available for:
All kinds of shower glass door

Function:
Preventing water flowing out from the bathroom glass door



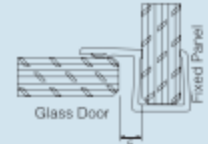
TSS-01 Waterproof seal for shower room glass door

Material
ABS Plastic
Thickness
Centre seal 90° Transparent with soft lip
For 8/10/12mm glass



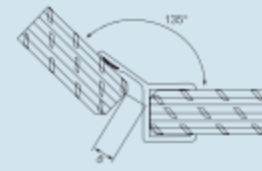
TSS-02 Waterproof seal for shower room glass door

Material
ABS Plastic
Thickness
Centre seal 90° Transparent with soft lip
For 8/10/12mm glass



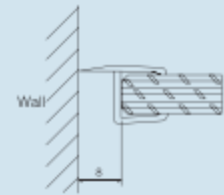
TSS-03 Waterproof seal for shower room glass door

Material
ABS Plastic
Thickness
Centre seal 135° Transparent with soft lip
For 8/10/12mm glass



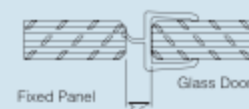
TSS-04 Waterproof seal for shower room glass door

Material
ABS Plastic
Thickness
Centre seal 180° Transparent with soft lip
For 8/10/12mm glass



TSS-05 Waterproof seal for shower room glass door

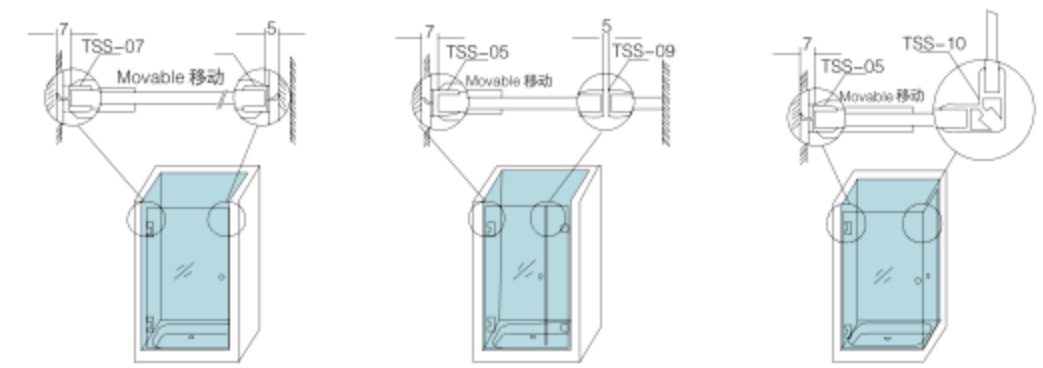
Material
ABS Plastic
Thickness
Centre seal 90° Transparent with soft lip
For 8/10/12mm glass



Translucent Sealing Strips

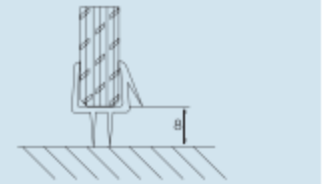
Available for:
All kinds of shower glass door

Function:
Preventing water flowing out from the bathroom glass door



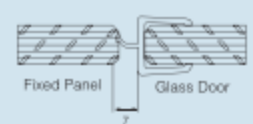
TSS-06 Waterproof seal for shower room glass door

Material
ABS Plastic
Thickness
Centre seal 90° Transparent with soft lip
For 8/10/12mm glass



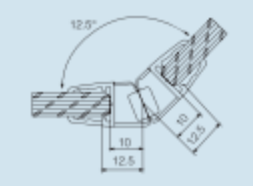
TSS-07 Waterproof seal for shower room glass door

Material
ABS Plastic
Thickness
Centre seal 90° Transparent with soft lip
For 8/10/12mm glass



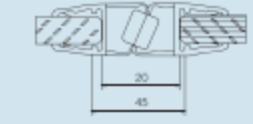
TSS-08 Waterproof seal for shower room glass door

Material
ABS Plastic
Thickness
Centre seal 135° Transparent with soft lip
For 8/10/12mm glass



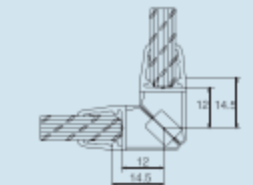
TSS-09 Waterproof seal for shower room glass door

Material
ABS Plastic
Thickness
Centre seal 180° Transparent with soft lip
For 8/10/12mm glass



TSS-10 Waterproof seal for shower room glass door

Material
ABS Plastic
Thickness
Centre seal 90° Transparent with soft lip
For 8/10/12mm glass





To Our Valued Customers

We would like to say "Thank You" to all of our customers and employees. Your help and encouragement has made it possible for E-PAI Metal Products Company to grow into the industry leader, and we plan to continue growing. Our goal is to listen, and challenge ourselves to better serve our customers.

Because of you we set our standards for innovation, service, and selection of quality products at the highest level. We consider it our responsibility to bring new technology to our industry so that we can all prosper.

We believe the Internet is the tool of the future, and E-PAI Metal Products Company is making a major commitment to the development of our web site to be your source for information and technical support. Access to all E-PAI products and services is available to you at epai-hardware.com, the most comprehensive and convenient information source we can offer our customers.

The E-PAI web site is a powerful communications device between business and the E-PAI people who serve you. It also allows us to empower you to have more flexibility and control of your orders, making it possible for you to contribute in the process of our providing you with excellent service. We invite you to visit us at epai-hardware.com. We are ready to provide you with 7*24 online service.

This catalog is the latest evidence of our commitment to bring you the finest and most comprehensive line of glass and architectural hardware. We are proud to make it available to you.

E-PAI's success has been made possible through our transition into manufacturing. We are producing a growing number of products to fill all of your requirements, and we will continue to listen to your ideas for products to manufacture for our industry. As always, we plan to expand our product line to be a continuing source for the glass industry. We are also adding to the number of distribution facilities we use to serve you, with plans for more to come overseas.

Again, we thank you for your continued support. Without your ideas for better service, new products, and generally high expectations, we would not have enjoyed our growth and success. Let's continue our success together.



NEWHUABAO (Hardware) Industrial Co., Ltd.

E-PAI Metal products Co.Ltd.

EPAINOX Technology (GD) Manufactures Co., Ltd.

1997-1998

START A BUSINESS



1997 - Established "New Hua Bao Hardware Decoration Materials" in Foshan, sold "NHB" luxury door handle and gated hardware products, the company successfully started from scratch and hold the foot in the market, the product initially recognized by the market.

1998 - The company opened "New Hua Bao Hardware Factory", plant area of 400 square meters, began production for sale "NHB" luxury door handle.

1999-2000

TRANSFORMATION



1999- the company formulated innovative product strategy, featured stainless steel glass door handle, and set off the trend of domestic door handle color processing. Expand production scale in the same year.

2000- the company imported the iso9001-2000 direct pull system, started production standardization process, and laid a good management foundation.

2003-2006

OPEN UP



2003- The Company adjusted its marketing strategy and started to expand its foreign markets.

2006 - Become one of the manufacturers with the largest number of stainless steel door handle export single products, and maintain the growth continuously Keep the largest single product manufacturers, a leading manufacturer.

2009-2010

Profession



2009- In order to better control the quality of stainless steel handle, control incoming quality and put into production stainless steel pipe production line. And customer recognition.

2010 - EPAI PIPECO, established!

2016-2017 At the same time of rapid development, the company has vigorously grasped the management and upgrading work. The entire line of management is introduced into the ISO9001-2008 management system and integrated into the advanced ERP management system. Enhance management and quality control as the company's top priority. Stair railings and glass bathroom hardware have also been developed. High quality and innovative product design have won stable orders from customers. The entire line of products are exported to more than 78 countries and regions around the world.

2016-2017

Strengthen management



2014-2015 The branches have developed smoothly, and the quality of the door handle and stainless steel pipe is better than that of the peers, and has been developed at a high speed. Door handles exported 720000 to become the industry's first brand. The annual sales volume of stainless steel pipes exceeded 10,000 tons.

2014-2015

Smooth development



2013- Once again, the company expanded its production and moved into a new modern and modern factory building covering an area of 30,000 square meters. Invested in the new 26 precision automatic stainless steel production lines, the export value of the year exceeded 12 million US dollars.

2013

Expand production



2011- Increase investment, purchase 10 precision automatic stainless steel pipe production lines, monthly sales of 300 tons.

2012-, put into production "EPAI UNION" building hardware factory, producing all kinds of stainless steel bathroom clip, stainless steel staircase accessories.

2011-2012

Increase Investment



2018-2019 EPAI is fully committed to becoming a nationally renowned brand of stainless steel building materials, with the goal of production and sales and customer satisfaction as the first goal, practicing the spirit of mindfulness, altruism and virtue, and building the first brand platform of stainless steel building materials industry!

2018~2019

MISSION



Continue to innovate

Strengthen product innovation, improve the full chain layout of building materials, glass, and hardware through automated production, and optimize the industrial structure

2023-2024

Create a timeless stainless masterpiece

Become an excellent stainless steel building chain supply and service provider

Future



MISSION & GOAL

Producing first-class products and cultivating top talents .
Creating a happy working environment to make all staff grow up and realize their own value & starting the capital market operation successfully .



INDUSTRY LEADERSHIP IN EXPORT VOLUME

Deeply cultivated in the industry for more than 31 years

100%

100% Products are No.1 export in five continents and regional markets
Among them, five series of items are for sale NO.1

Exceed

13,341,311 pair

Handle

More than

76,827 ton

Stainless steel pipe

And

19,345 Hundred meters

Stair railings

Business all over

86 regional markets

The above data is as of November 2019



- 1 Malaysia
- 2 Singapore
- 3 Thailand
- 4 Brazil
- 5 New Zealand
- 6 U.S.A
- 7 Germany
- 8 Italy
- 9 Indonesia
- 10 India
- 11 Japan
- 12 Sri Lanka
- 13 South Africa
- 14 Egypt
- 15 Algeria
- 16 Ethiopia
- 17 Ukraine
- 18 Russia
- 19 France
- 20 Lebanon
- 21 Iran
- 22 Pakistan
- 23 Australia
- 24 Brunei
- 25 Holland
- 26 United Kingdom
- 27 Turkey
- 28 U.A.E
- 29 Jordan
- 30 Cyprus
- 31 Saudi Arabia